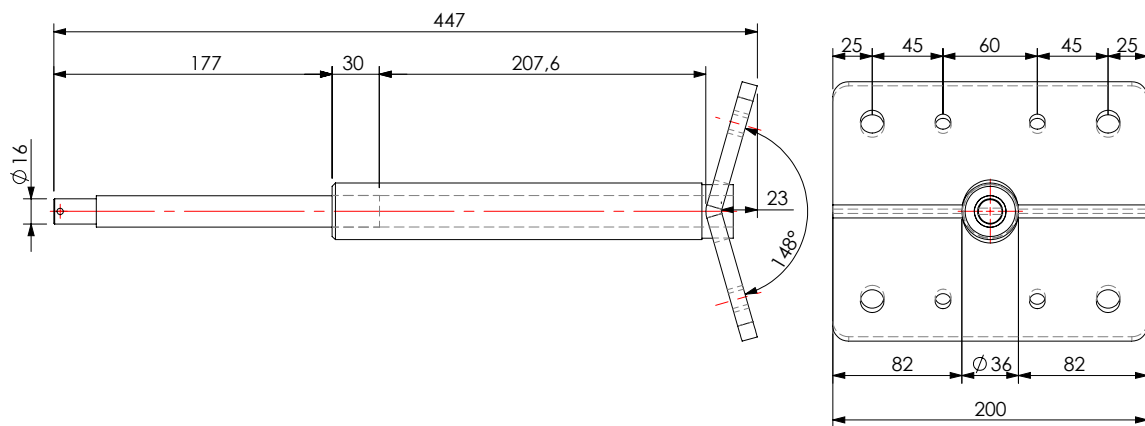


## SS PBSC POLE

Code 000137

Pole in stainless steel with base size 160x215x10 mm and 8 bores. Ideal for ridge beam support bases.



<b>Material</b>	AISI 304 Stainless Steel
<b>Dimensions (mm)</b>	165 x 447 x 200
<b>Weight (kg)</b>	4,43
<b>CN code</b>	73269098
<b>EAN code</b>	8055773300668

### STANDARDS



	<b>A</b>	<b>C</b>
UNI EN 795:2012	1	1
UNI 11578:2015	-	4
CEN/TS 16415:2013	2	4

<b>LENGTH</b>	min 6 max 50
<b>SPAN</b>	min 6 max 12

Discover the product line:

